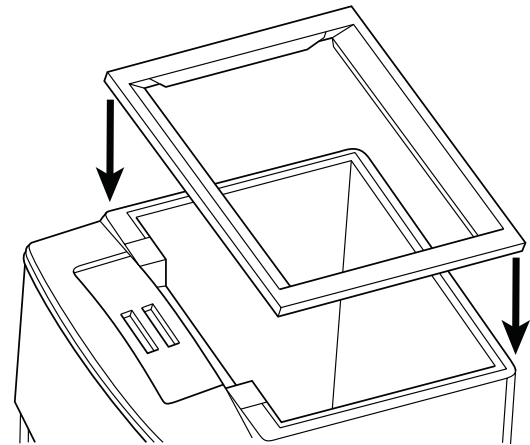


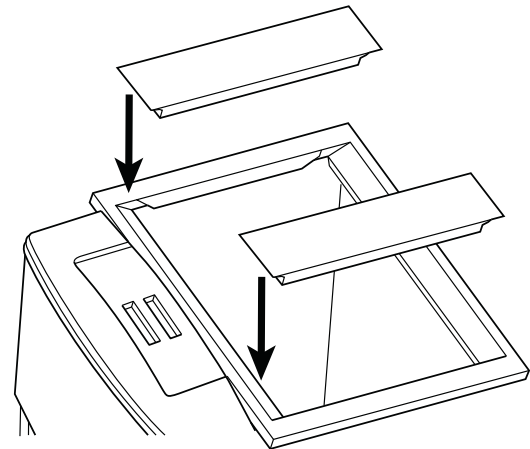
The following illustrates the steps necessary to install the updated icemaker bin adapters and corresponding filler plates for 22, 25, and 30 inch Ice Beverage Dispenser units.

Installation

1. Remove Ice Bin Lid and install the Icemaker Adapter Base provided with kit.



2. Install any necessary Vertical Filler Plates to either side of Adapter Base.



3. Install any necessary Horizontal Filler Plates to top of Vertical Filler Plates in order to fit the unique connection between the icemaker and the dispenser.

